

AIRTAP HAND DRYER

470

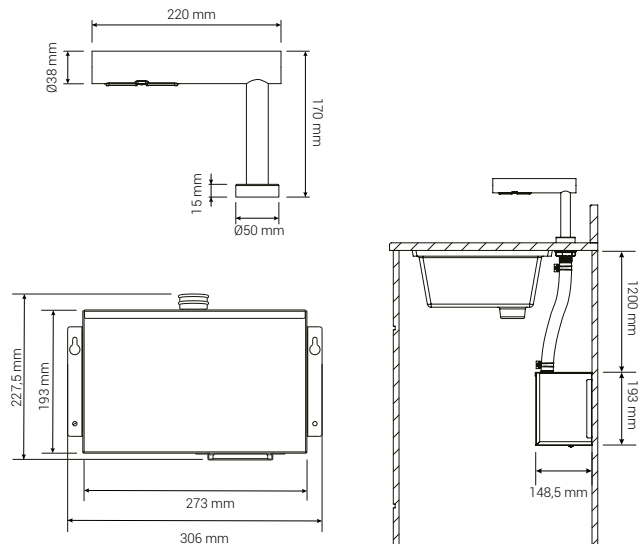
IR sensor
Deck-mounted
Stainless steel with black PVD coating
2-year warranty



AirTap features a minimalist, modern design in stainless steel with black PVD coating. The intelligent temperature control technology detects the room temperature and adjusts the heating element.

Technical data

Type	AIRTAP HAND DRYER Prod. No.: 470 Touch-less warm-air hand dryer with IR sensor
Dimension tap	H: 170 mm x Ø50/Ø38 x L: 220 mm
Dimension motor	H: 203 mm x W: 306 mm x L: 150 mm
Material	Stainless steel
Drying cycle	10-15 sec.
Connection	230 V, 50/60 Hz, Class I
Total wattage	600-1000 W
Heating element	100-500 W
Motor	500 W
Noise level	68,5-70,5 dBA
Max. air capacity	84-101 m/sec
Max. air outlet temperature	57° C
Net weight	6,0 kg
IP rating	IP35
Tender text	Touch-less hand dryer in stainless steel with black PVD coating for deck mounting. Infra-red sensor and electronic timer, drying cycle: 10-15 sec. IP35, 230 V, 50/60 Hz, 1000 W, Class I (earthed). 68.5-70.5 dBA. Net weight: 6.0 kg. H: 170 mm x Ø50/Ø38 x L: 220 mm



Application

AirTap is a powerful hand dryer suitable for toilet rooms with a high visitor frequency. With its elegant slim design, the hand dryer is the perfect choice for all kinds of commercial washrooms. The range is an ideal build-in solution for construction projects and automatic hand wash stations.

References

Shopping centres, restaurants, hotels, airports, sports facilities, schools and public institutions.

Standard colour

Black PVD-coating.

Activation

Infrared sensor and electronic timer. Touchfree. Activation distance adjustable 130 mm (± 20 mm). Automatic stop after 60 seconds of continuous use.

Motor type

Commutator motor with carbon brushes. 22,000-29,000 revolutions/min.

Protection

Automatic thermal cut-out in both motor and heating element.

Installation

Machine intended for table top mounting. Connection to fixed installation or via circuitbreaker. Installation must be carried out by a qualified electrician.

Approval

